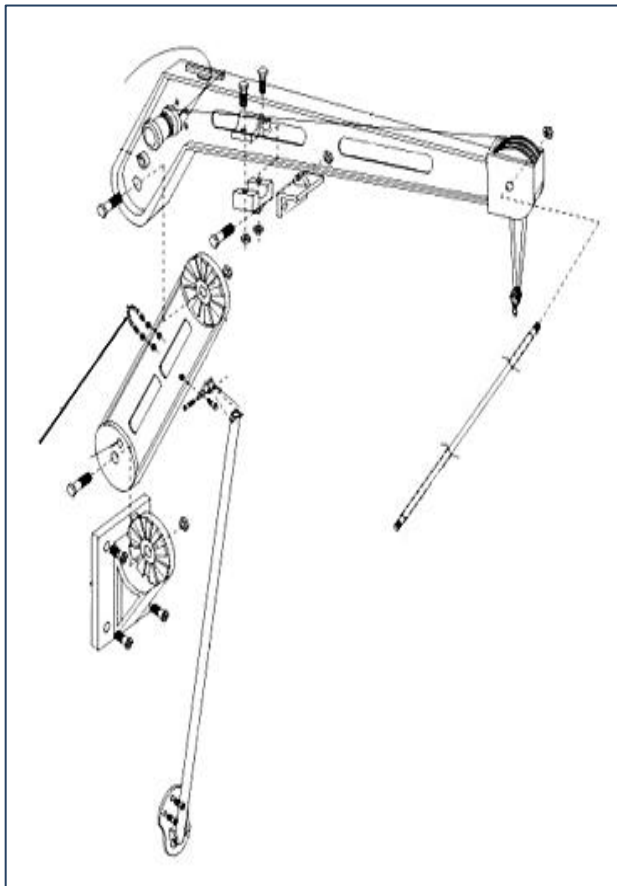
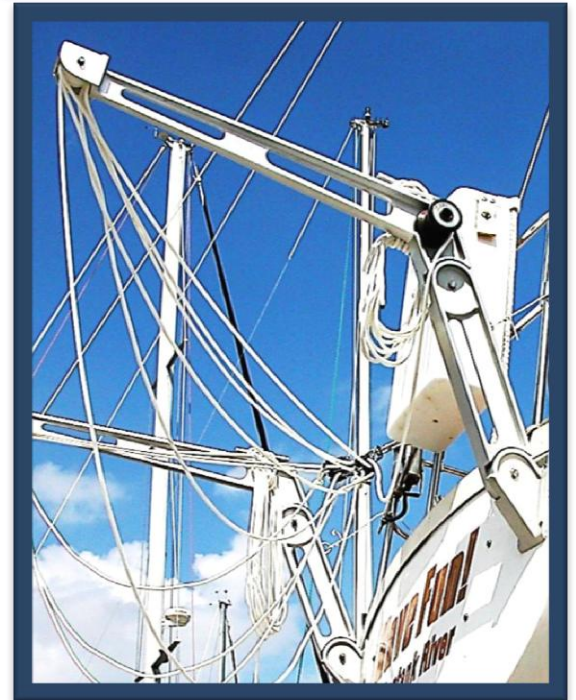


MODEL **2000 Adjustable Dinghy Davits**

Easily lift your Dinghy and Outboard!

Custom Davit Angle, MORE HEIGHT/ REACH

Safe Working Load	350 Lbs. Pair (159 Kg) 250 Lbs. Ea. (113 Kg)
Overall Reach	33"-52" (86-132 cm) (Max. Reach With Riser Arm)
Overall Height	0"-32" (0-81 cm)
Pulling Ratio	7:1 (50 Lbs. @ Max Load)
Weight	45 Lbs. (20 Kg)



Available Options	
6.8:1 Winch Add-On	
Transom Base (Deck Std.)	
Make Removable	
18" Riser Arm	
26" Riser Arm	
Heavy Duty Bases	
Back-Stay Supports (up to 4)	
Stainless Down Strut (34")	
6x9" / 9x12" Back. Plate	
Hard Dinghy Support	
Stab. Cross Bar	
Total	

For More information, please visit

www.AtkinsHoyle.com

Phone (613) 354-1919 Fax (416) 596-8989

Email Info@AtkinsHoyle.com